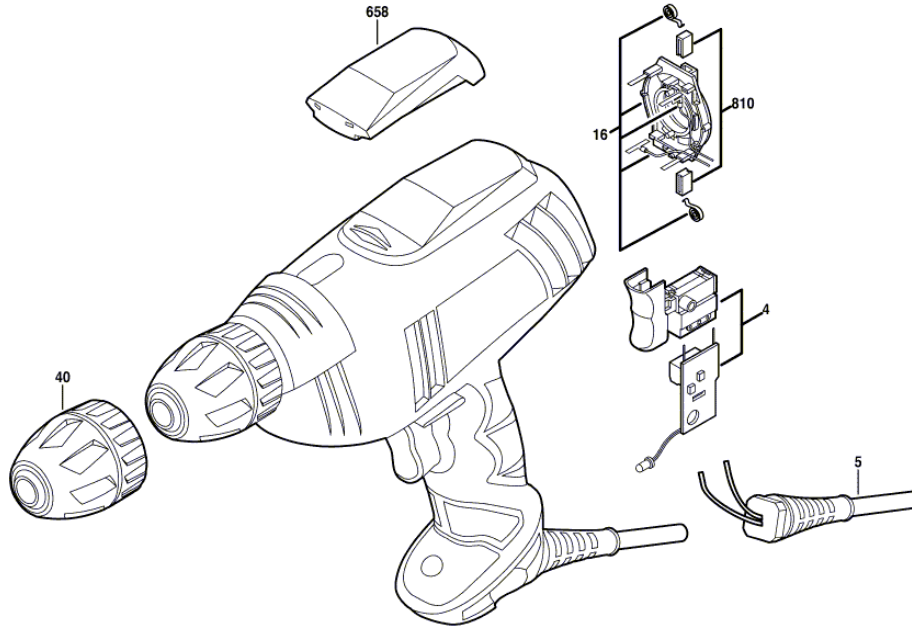




**F 012 626 700**  
**DRILL 6267**

10.05.2007  
17:55:35

F012 6267 00  
Issue | 05-08-16 | **Fig./Abb. 1**  
Stand |



Modifications reserved  
Änderungen vorbehalten  
Modifications réservées  
Salvo modificaciones

Item	Quantity	Order No.	Designation	Price group	Page
4	1	1 619 X00 514	SWITCH		1
5	1	2 610 313 328	POWER SUPPLY CORD		1
16	1	2 610 915 429	CARBON BRUSH HOLDER		1
40	1	2 610 912 703	KEYLESS CHUCK		1
658	1	2 609 100 190	SUPPORT		1
810	1	2 610 918 893	CARBON-BRUSH SET		1

